

4 0 0 S E R I E S

4 0 0 S E R I E S

4 0 0 S E R I E S

4 0 0 S E R I E S

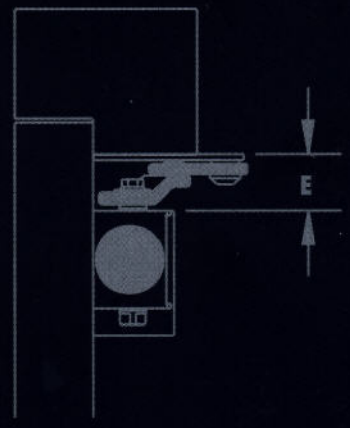
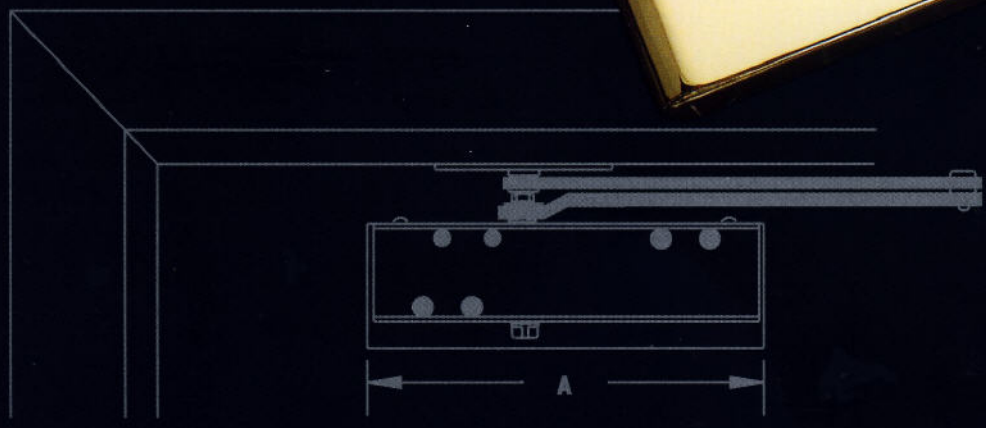
4 0 0 S E R I E S

4 0 0 S E R I E S

4 0 0 S E R I E S

426VP

Variable Power Door Closers



ARROW ARCHITECTURAL

D O O R C O N T R O L H A R D W A R E

426VP

Designed for maximum
in the

ARROW ARCHITECTURAL'S 426 VP CLOSER has been designed to incorporate maximum power, durability and efficiency, combined with high quality for todays more demanding door closer application. This flexible multi-power closer will satisfy the specifier who needs adjustment to suit a range of door sizes, changing ambient temperatures and frequency of use (refer to frequency of use guide).

It features individual controls for door speed and latching as standard with delay closing and backcheck as options and is suitable for all opening applications including Pull-Open, Push-Open and Slide-Arm.

Power adjustment is simple, by means of an Allen Key at the end of the closer body. It can be adjusted to suit door widths from 850mm to 1400mm.

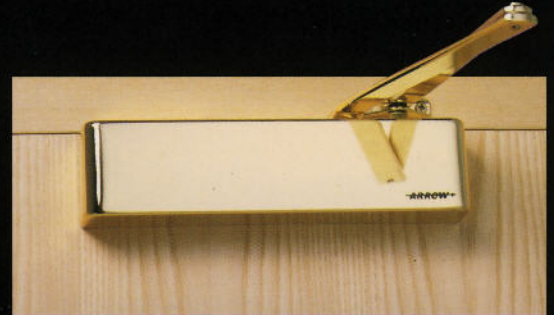
THE ARROW ARCHITECTURAL 400 SERIES DOOR CLOSERS have been included in Fire Tests in accordance with BS 476 Part 22 (1987) and independently assessed for 2 Hour cover by International Fire Consultants Limited (Assessment No. 93086).

THE MOST ADVANCED QUALITY CONTROL

All Arrow closers are designed to comply with the performance data on closer size, door width and door weight enshrined in BS EN 1154, and are manufactured within the parameters of our EN ISO 9002 quality assurance certification, Certification No. 93/1789

All Arrow 426 VP Door Closers are constructed from Extruded Aluminium within which a hardened steel rack and pinion mechanism operates completely immersed in high quality thermo-static hydraulic oil, thus ensuring many years of maintenance-free operation and are available anodised in silver, gold and bronze, with matching Trim Plates.

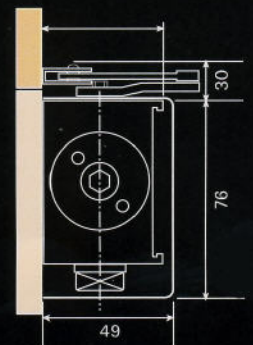
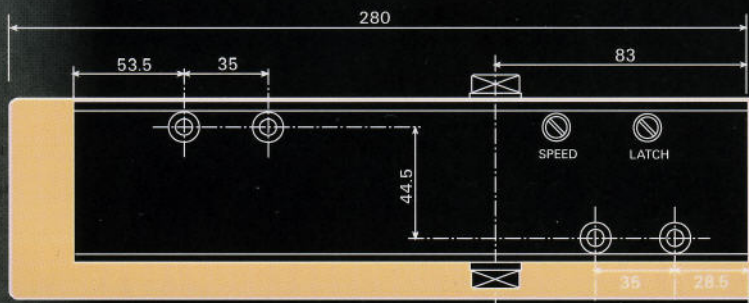
Also available are our unique range of Covers which we offer in solid stainless steel with a choice of polished or satin finish, bright chrome, satin chrome, polished brass, satin brass, imitation bronze, satin nickel and polished nickel. An extensive range of painted finishes to RAL standard is available to match most



Architectural Ironmongery colours. All Arms and Channels are supplied black as standard but are available in plated or painted finishes as required.

A TEN YEAR GUARANTEE ensures a free replacement ex-works of any Arrow 426 VP Closer proved defective by reason of faults in either manufacture or materials. This guarantee is subject to the appropriate model and size of closer being used, fitted and adjusted in accordance with our recommendations.

Arrow Architectural is a member of the **GUILD OF ARCHITECTURAL IRONMONGERS** and our Technical Department is available to advise you with any queries you may have and provide help to solve problems on most aspects of door control or assistance with choosing the correct products for the required application.



Series 426VP dimensions with overall cover

THIS APPROVED...
ACHIEVING THE...
INTERNATIONAL FIRE CONSULTANTS
Face fixed overhead door closers.
SUMMARY
w Series 400 door closer
International Fire Consultants Ltd
November 1993
on behalf of: Freeman & Pardoe Engineering Ltd

Arrow Architectural
Tything Road
Arden Forest Industrial Estate
Alcester
Warwickshire
B49 6ES

Warrington FIRE research
CONSULTANCY • TESTING
The Professionals in Fire

Warrington Fire Research Centre Limited, Homestead Road, Warrington
Tel: Int +44 (0)1925 655119 • Fax: Int +44 (0)1925 655118



This is to certify that
Arrow Architectural
fully complied with the conditions of membership
and having agreed to abide by the Guild's
Code of Professional Practice has been elected an
Associate Member of the Guild of Architectural Ironmongers
Dated this day
1st June 1999

versatility

most demanding installations

TECHNICAL INFORMATION - 426VP

Arrow 426 VP Door Closers are supplied complete with adjustable arms and necessary brackets and screw packs to suit the following applications regular arm, parallel arm and transom mounting as standard.

The Arrow 426 VP Closer can also be fitted with Slide Arm if required. Every door closer enables door opening up to 180° and is

fitted with the following facilities as STANDARD:

- Door Speed Adjustment n Latching Speed Adjustment
- Variable Power Adjustment

By turning the Allen key adjustment in the end of the closer body, the power of the closer can be altered to give the power shown in the table:

SIZE RANGE 2-6, EN 1154

ADJUSTABLE POWER SETTING	MAX DOOR WIDTH MM	DOOR MASS KG	MIN CLOSING MOMENT	
			2°	90°
2	850	40	13	4
TO	TO	TO	TO	TO
6	1400	120	54	18

FREQUENCY OF USE GUIDE

	LOCATION	CYCLES PER DAY	CYCLES PER ANNUM
HIGH FREQUENCY HEAVY DUTY	SCHOOL CORRIDOR FIRE DOOR	600	108,000
	TOWN BANK ENTRANCE	500	125,000
	CITY CENTRE RESTAURANT ENTRANCE	500	150,000
	LARGE OFFICE CORRIDOR FIRE DOOR	450	104,000
	TOWN CENTRE SHOP ENTRANCE	400	120,000
	LARGE OFFICE OR FACTORY TOILET ENTRANCE	400	92,000
	HOSPITAL WARD DOOR	350	128,000
MEDIUM FREQUENCY MEDIUM DUTY	SCHOOL CLASSROOM DOOR	80	15,000
	OFFICE DOOR	75	18,000
	STORE TOILET DOOR	60	18,000
	DWELLING FRONT ENTRANCE	12	4,400
	DWELLING REAR OR SIDE ENTRANCE	15	5,400

OPERATING MODES

DOOR SPEED ADJUSTMENT - STANDARD

The Arrow 426 VP Door Closer allows the door to open up to 180°. The speed of closing over the whole closing arc can be adjusted from fast to slow by a regulating valve in the front of the closer body.

LATCHING - STANDARD

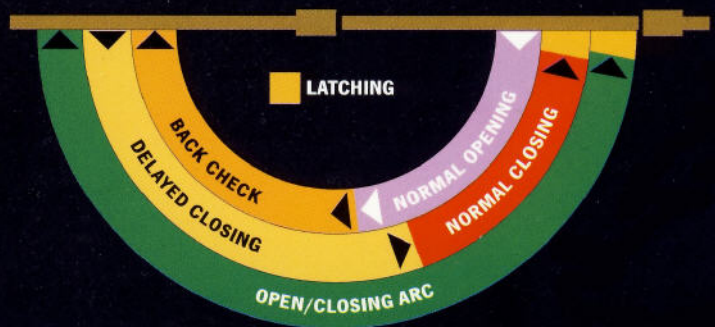
At the end of the closing arc the closer will automatically move onto the Latching control. The speed of the door can then be adjusted independently so that it will accelerate to overcome the resistance of any door latch, or alternatively can be slowed down for use with non latched doors.

DELAYED CLOSING - OPTIONAL

The Delayed Closing facility can be built into the closer body, and by simple screw adjustment the door can be kept open for an extended period until it reached approx. 75° open, when it will move onto the normal closing speed. This facility is ideal for hospitals, retirement homes etc to allow more time for slow moving traffic to pass through the doorway.

BACK CHECK FACILITY - OPTIONAL

The Backcheck facility is a device built into the Closer body to enable a hydraulic braking effect to be applied to the door on opening beyond approximately 85°. A separate adjustment screw enables you to vary the strength of the cushion effect. In adverse conditions the fitting of a door stop is recommended.



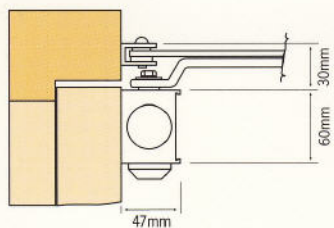
MECHANICAL HOLD OPEN - OPTIONAL

The 426 VP can be supplied complete with an adjustable Hold-Open arm which gives the facility to hold the door open at any pre-set angle up to 180°.

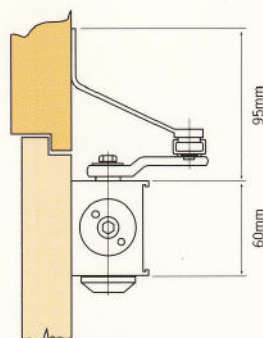
SLIDE ARM

All Arrow door closers can be supplied with arm and slide track in place of the regular or parallel arm for applications where it is undesirable to interrupt the smooth lines of a door set by projecting arms. Slide arm sets have the advantage that they are suitable for all applications including Transom mount without modification to the arm set.

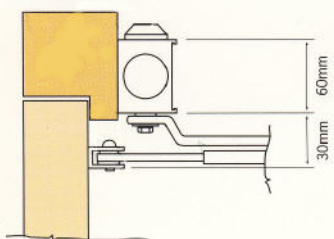
426VP MOUNTING OPTIONS



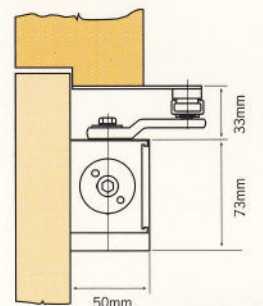
Regular Arm
Pull Open



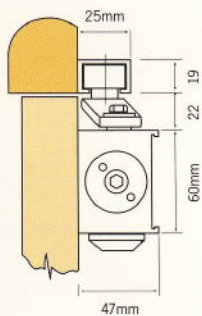
Push Open
with
39 Bracket



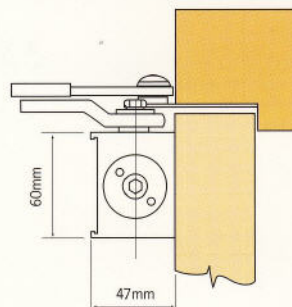
Transom Mount
Push Open



Parallel Arm Push
Open
with
Overall Cover



Slide Arm
Push Open



Pull Open
with
S2 bracket

ARROW ARCHITECTURAL

Tything Road, Arden Forest Industrial Estate, Alcester, Warwickshire B49 6ES.

Tel: 01789 762575. Fax: 01789 762673.

www.arrow-architectural.com email: info@arrow-architectural.com



In keeping with our policy of continuous improvement, we reserve the right to vary without prior notice any technical specification stated